

REPAIR PARTS MANUAL
MODEL NO. BM20H107RBK (96061010800)
Lawn Tractor

BESTGREEN

HOW TO USE THIS MANUAL

This manual is designed to provide the customer with a means to identify the parts on his/her tractor when ordering repair parts. The illustrations may or may not represent the actual assemblies; therefore, it is not recommended to use this manual as a guide to assemble or disassemble the tractor. Some hardware and parts are drawn larger in order to more readily identify them.

Each tractor has its own model number.

The model number for your tractor can be found on the fender under the seat.

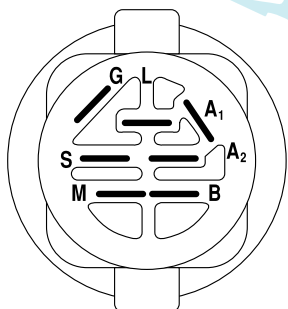
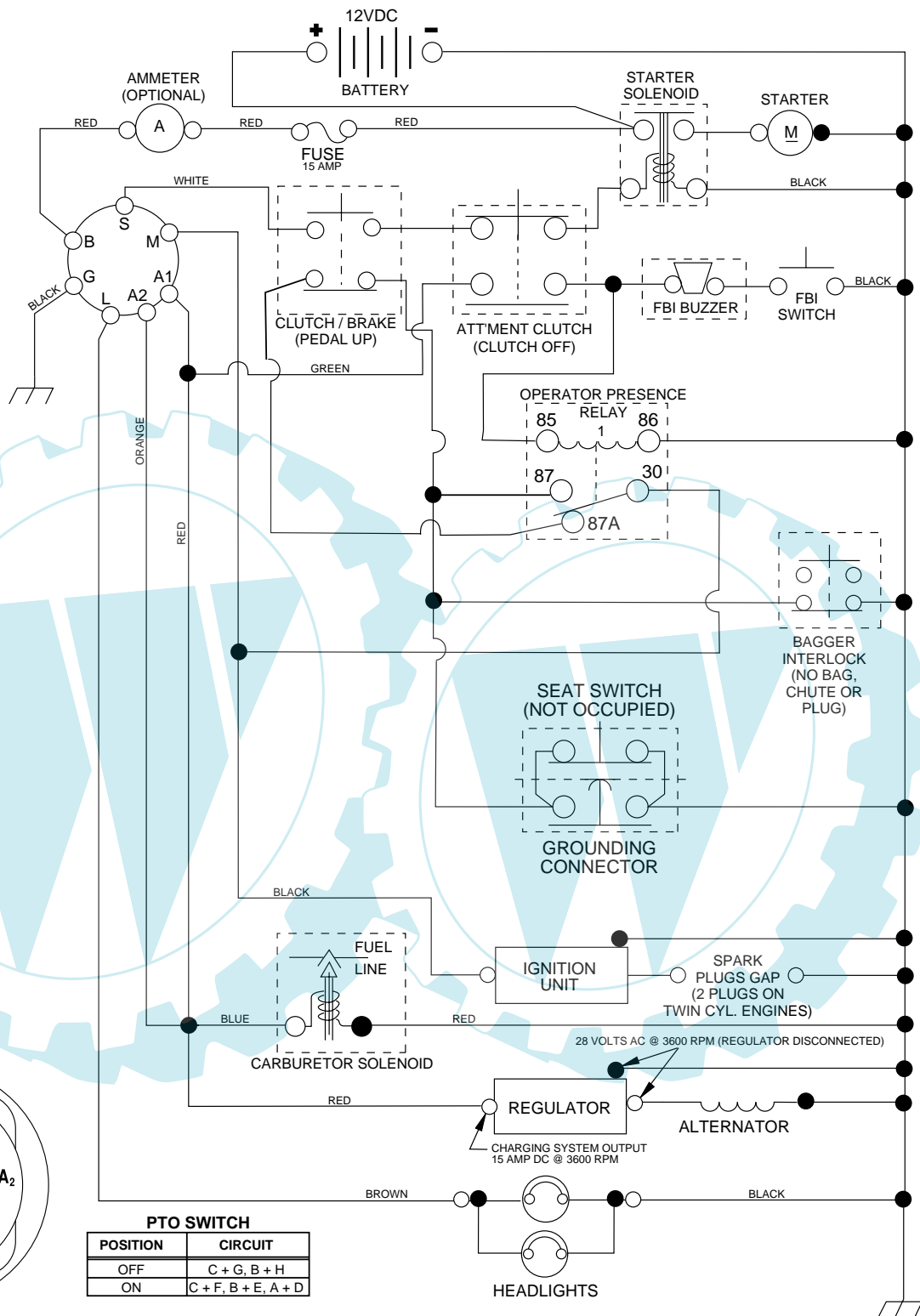
When ordering parts, always give the following information:

- Product - "Tractor"
- Model Number - "BM20H107RBK (96061010800)"
- Part Number
- Part Description

TABLE OF CONTENTS

| | |
|------------------|-------|
| SCHEMATIC | 3 |
| ELECTRICAL..... | 4-5 |
| CHASSIS..... | 6-7 |
| DRIVE..... | 8-9 |
| STEERING | 10-11 |
| SEAT | 12 |
| DECALS..... | 13 |
| ENGINE..... | 14-15 |
| MOWER LIFT..... | 16-17 |
| MOWER DECK | 18-19 |
| BAGGER | 20 |

**TRACTOR- -MODEL NO. BM20H107RBK (96061010800), PRODUCT NO. 960 61 01-08
SCHEMATIC**



IGNITION SWITCH

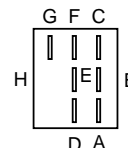
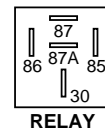
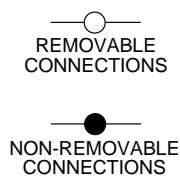
| POSITION | CIRCUIT | "MAKE" |
|-----------|------------|--------|
| OFF | M+G+A1 | NONE |
| RUN/LIGHT | B+A1 | A2+L |
| RUN | B+A1 | NONE |
| START | B + S + A1 | NONE |

PTO SWITCH

| POSITION | CIRCUIT |
|----------|---------------------|
| OFF | C + G, B + H |
| ON | C + F, B + E, A + D |

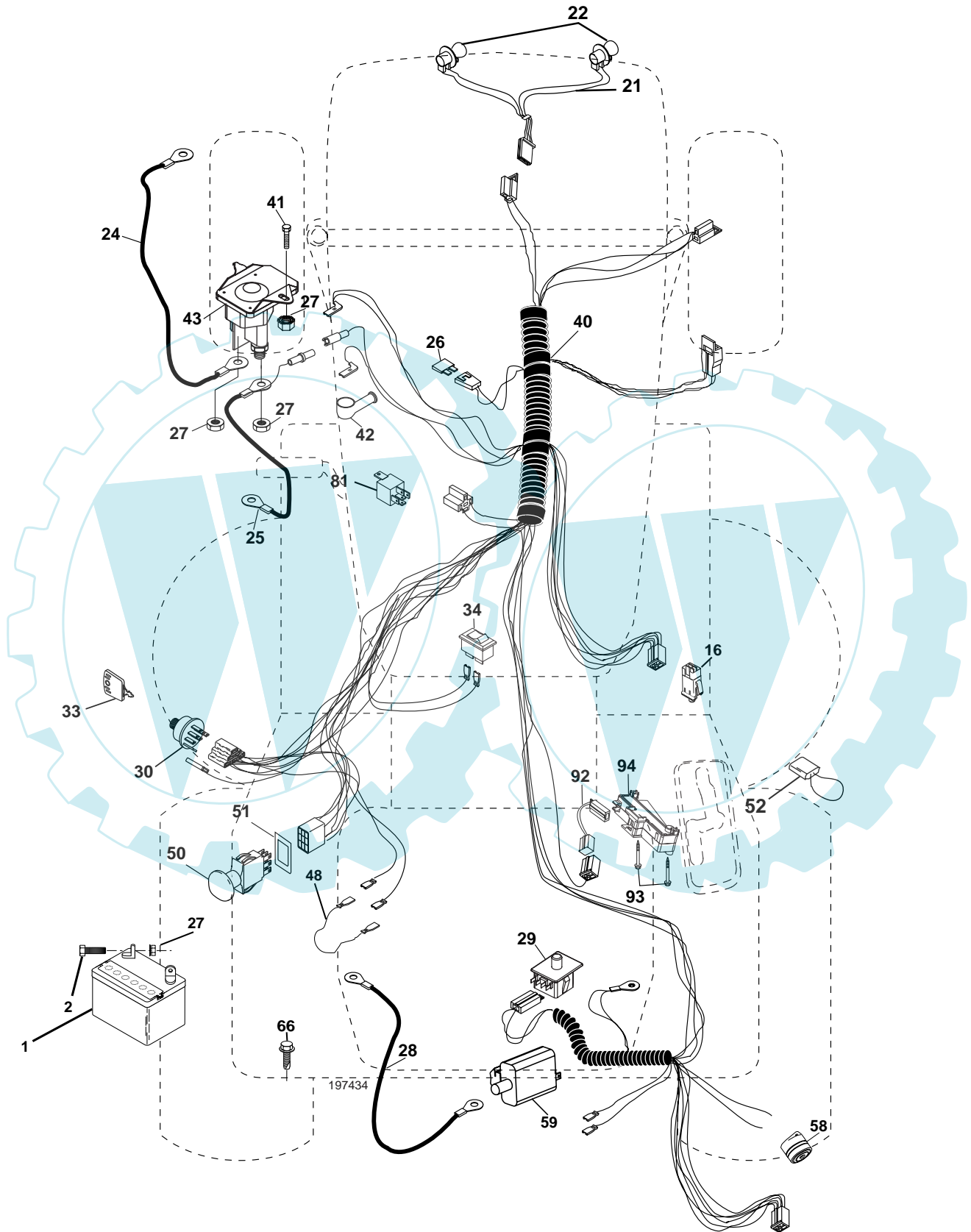
WIRING INSULATED CLIPS
NOTE: IF WIRING INSULATED CLIPS WERE REMOVED FOR SERVICING OF UNIT, THEY SHOULD BE REPLACED TO PROPERLY SECURE YOUR WIRING.

02752



REPAIR PARTS

TRACTOR- -MODEL NO. BM20H107RBK (96061010800), PRODUCT NO. 960 61 01-08
ELECTRICAL



REPAIR PARTS

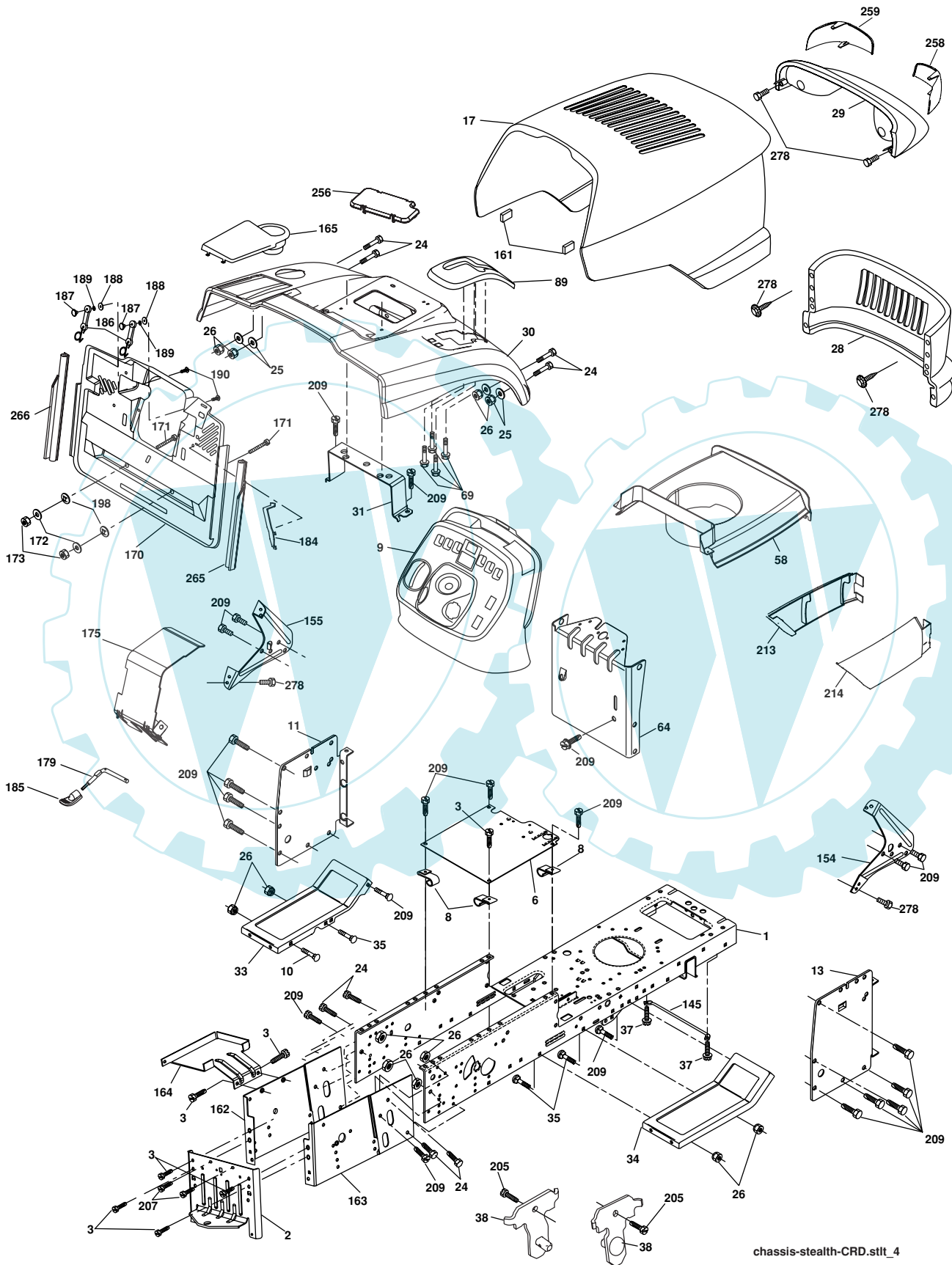
TRACTOR- -MODEL NO. BM20H107RBK (96061010800), PRODUCT NO. 960 61 01-08
ELECTRICAL

| KEY NO. | PART NO. | DESCRIPTION |
|---------|--------------|-----------------------------------|
| 1 | 532 14 49-27 | Battery |
| 2 | 874 76 04-12 | Bolt Hex Hd 1/4-20 unc x 3/4 |
| 16 | 532 17 61-38 | Switch Interlock |
| 21 | 532 17 56-88 | Harness Asm Light W/4152J |
| 22 | 532 00 41-52 | Bulb Light #1156 |
| 24 | 532 12 47-80 | Cable Starter 6 Ga. 11" Red |
| 25 | 532 16 59-87 | Cable Battery Crd 56" Red |
| 26 | 532 17 51-58 | Fuse |
| 27 | 873 51 04-00 | Nut Keps Hex 1/4-20 unc |
| 28 | 532 12 77-25 | Cable Ground 6 Ga. 18" Black |
| 29 | 532 19 27-49 | Switch Seat |
| 30 | 532 19 33-50 | Switch Ignition |
| 33 | 532 14 04-01 | Key Ign |
| 34 | 532 11 07-12 | Switch Light |
| 40 | 532 19 74-34 | Harness Ign |
| 41 | 871 11 04-08 | Bolt Flk Fin Hex 1/4-20 unc x 1/2 |
| 42 | 532 13 15-63 | Cover Terminal Red |
| 43 | 532 19 25-07 | Solenoid |
| 48 | 532 14 08-44 | Adapter Ammeter Rectangular |
| 50 | 532 17 46-51 | Switch PTO |
| 58 | 532 16 94-19 | Buzzer Crd |
| 59 | 532 18 03-79 | Switch FBI CRD |
| 66 | 817 49 06-08 | Screw Thdrol 3/8-16 x 1/2 Ty-Tt |
| 79 | 532 17 52-42 | Socket Asm. Bulb Twistlock |
| 81 | 532 10 97-48 | Relay Asm |
| 92 | 532 19 66-15 | Harness Pigtail |
| 93 | 532 19 25-40 | Screw Plastite 10-44 x 2.0 |
| 94 | 532 19 18-34 | Module Reverse |

NOTE: All component dimensions given in U.S. inches.
1 inch = 25.4 mm.

REPAIR PARTS

TRACTOR- -MODEL NO. BM20H107RBK (96061010800), PRODUCT NO. 960 61 01-08
CHASSIS AND ENCLOSURES



chassis-stealth-CRD.stft_4

REPAIR PARTS

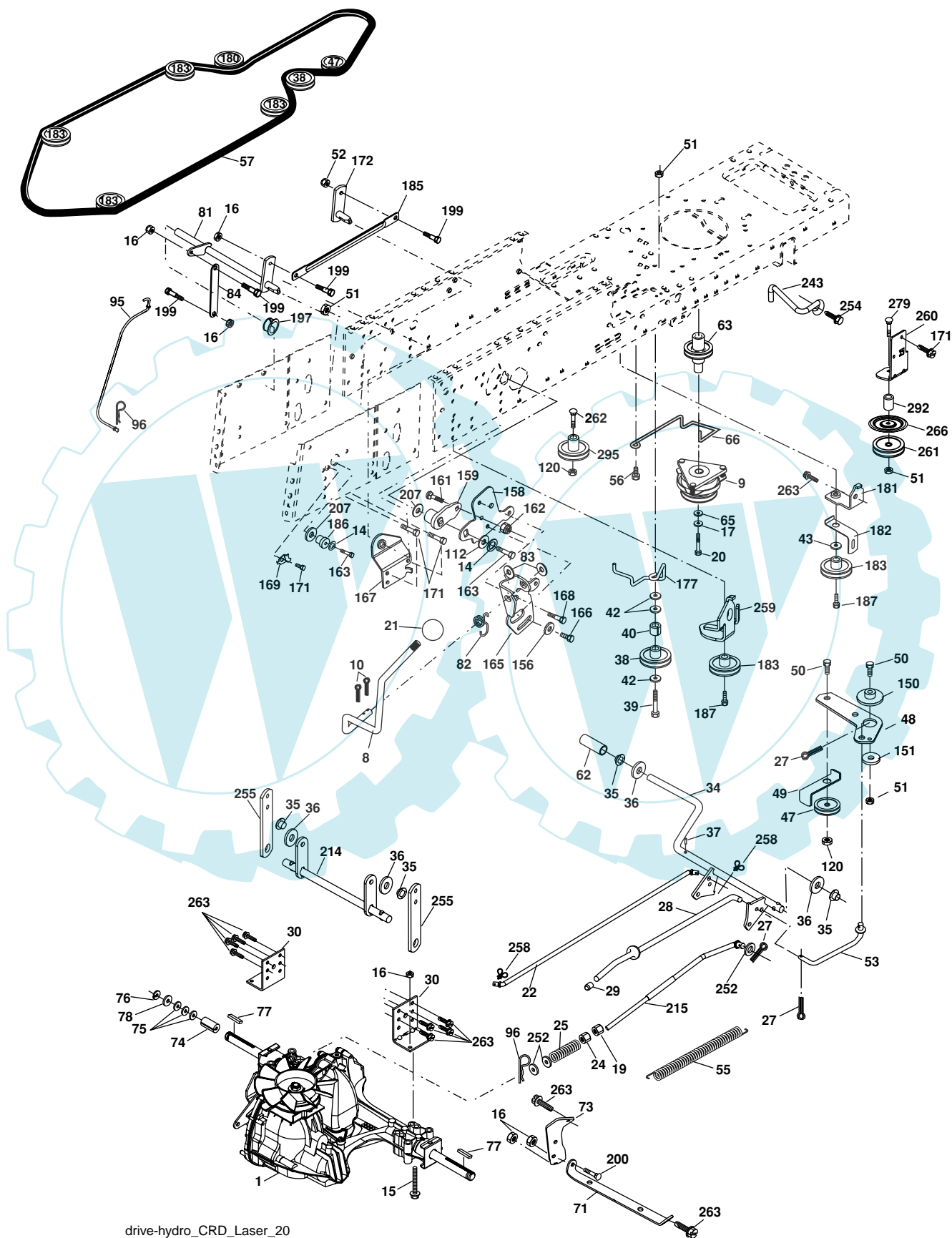
TRACTOR- -MODEL NO. BM20H107RBK (96061010800), PRODUCT NO. 960 61 01-08 CHASSIS AND ENCLOSURES

| KEY NO. | PART NO. | DESCRIPTION | KEY NO. | PART NO. | DESCRIPTION |
|---------|--------------|--|---------|--------------|--|
| 1 | 532 17 46-20 | Chassis | 162 | 532 18 03-82 | Bracket Exten Chassis Lh CRD |
| 2 | 532 18 03-84 | Drawbar | 163 | 532 18 03-83 | Bracket Exten Chassis Rh CRD |
| 3 | 817 06 06-12 | Screw 3/8-16 x 3/4 | 164 | 532 16 56-05 | Support Battery CRD |
| 6 | 532 18 44-19 | Saddle | 165 | 532 18 13-56 | Cover Battery |
| 8 | 532 12 64-71 | Clip Insulator 13/32 Mtg. Hole | 170 | 532 19 94-88 | Backplate CRD |
| 9 | 532 19 49-75 | Dash | 171 | 872 14 06-20 | Bolt Rdhd Sqnk 3/8-16 x 2-1/2 Gr. 5 |
| 10 | 872 14 06-08 | Bolt, Carriage 3/8-16 x 3/4 | 172 | 819 13 20-16 | Washer 13/32 x 1-1/4 x 16 Ga. |
| 11 | 532 16 72-03 | Panel, Dash, L.H. | 173 | 873 51 06-00 | Nut, Keps Hex 3/8-16 unc |
| 13 | 532 17 82-98 | Panel, Asm. Dash R.H. | 175 | 532 18 82-03 | Guard Trap |
| 17 | 532 19 51-04 | Hood | 179 | 532 18 82-02 | Rod Pivot FBI CRD |
| 24 | 874 78 06-16 | Bolt | 184 | 532 17 46-62 | Bracket Actuator Bagger CRD |
| 25 | 819 13 13-12 | Washer 13/32 x 13/16 x 12 Ga. | 185 | 532 18 11-01 | Knob Rod Brake Parking |
| 26 | 873 80 06-00 | Nut | 186 | 532 16 07-93 | Latch Asm Mulch/Bagger |
| 28 | 532 18 71-14 | Grille /Lens Asm (Includes Key Nos.29, 258-259) | 187 | 532 12 50-04 | Nut Weld |
| 29 | 532 17 97-63 | Light Asm | 188 | 819 06 12-16 | Washer #10 |
| 30 | 532 19 73-56 | Fender | 189 | 810 07 10-00 | Washer Lock #10 |
| 31 | 532 16 51-56 | Bracket, Fender Support | 190 | 871 08 10-10 | Screw Pan Hd Phillip 10-24 x 5/8 |
| 33 | 532 18 64-57 | Footrest, L.H. | 198 | 532 16 89-37 | Nut, Push |
| 34 | 532 18 64-58 | Footrest, R.H. | 205 | 817 49 06-08 | Screw Thdrol 3/8-16 x 1/2 |
| 35 | 872 11 06-06 | Bolt | 207 | 817 67 05-08 | Screw Thdrol 5/16-18 x 1/2 |
| 37 | 817 49 05-08 | Screw Thdrol 5/16-18 x 1/2 TYT | 209 | 817 00 06-12 | Screw Hex Wsh Thdrol 3/8-16 |
| 38 | 532 18 17-48 | Bracket Asm Pivot Mower Rear | 213 | 532 18 71-12 | Skirt Grille LH |
| 54 | 532 19 25-12 | Screw WSHD Hex 10-32 x 5/8 | 214 | 532 18 71-11 | Skirt Grille RH |
| 64 | 532 18 43-40 | Bracket Dash Lower | 256 | 532 18 13-61 | Cover Fender Rack |
| 58 | 532 17 53-51 | Duct Air | 258 | 532 16 18-42 | Lens RH |
| 69 | 532 14 24-32 | Screw Hx Wsh Hi-Lo 1/4-1/2 | 259 | 532 16 18-41 | Lens LH |
| 89 | 532 19 73-66 | Console Crd Auto Black | 265 | 532 18 57-04 | Seal RH Side Bagger |
| 145 | 532 15 65-24 | Rod Pivot Chassis/Hood | 266 | 532 18 57-03 | Seal LH Side Bagger |
| 154 | 532 18 39-25 | Bracket Dash RH | 278 | 532 19 16-11 | Screw 10 x 3/4 Single Lead-Hex |
| 155 | 532 18 39-26 | Bracket Dash LH | | | |
| 161 | 532 16 46-55 | Bumper Hood | | | |

NOTE: All component dimensions given in U.S. inches.
1 inch = 25.4 mm.

REPAIR PARTS

TRACTOR- -MODEL NO. BM20H107RBK (96061010800), PRODUCT NO. 960 61 01-08
DRIVE



drive-hydro_CRD_Laser_20

REPAIR PARTS

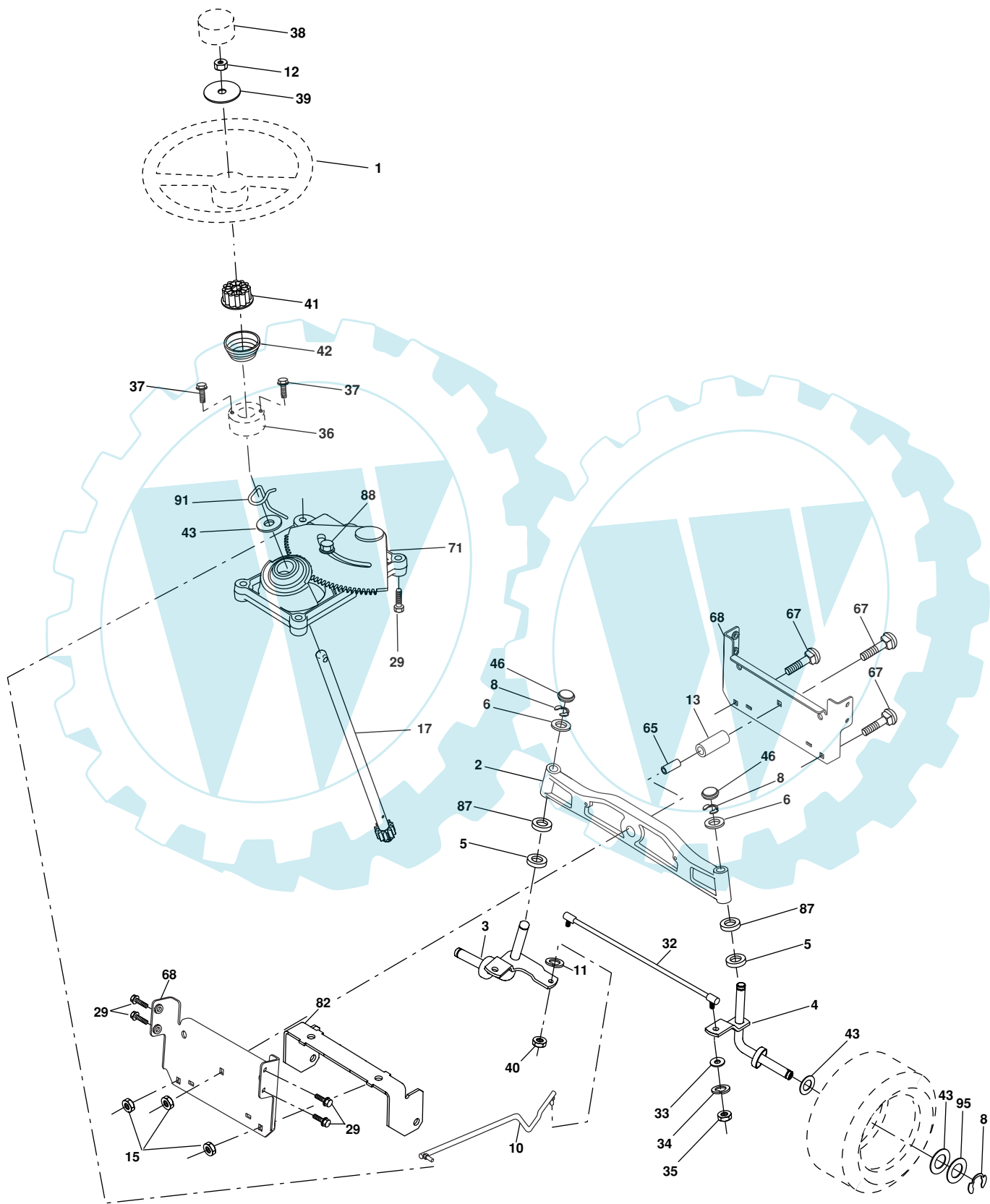
TRACTOR- -MODEL NO. BM20H107RBK (96061010800), PRODUCT NO. 960 61 01-08 DRIVE

| KEY NO. | PART NO. | DESCRIPTION | KEY NO. | PART NO. | DESCRIPTION |
|---------|--------------|--|---------|--------------|--|
| 1 | ----- | Transaxle Hydro Gear 321-0510 (Order parts from transaxle manufacturer) | 83 | 819 17 12-16 | Washer 17/32 x 3/4 x 16 Ga. |
| 8 | 532 19 27-06 | Rod, Shift Fender Adjust Lt | 84 | 532 17 00-07 | Link, Transaxle |
| 9 | 532 19 81-43 | Clutch Asm OGURA | 95 | 532 17 00-15 | Control Asm Bypass Hydro Spring, Retainer 1" |
| 10 | 876 02 04-16 | Pin, Cotter 1/8 x 1 | 96 | 532 12 47-88 | Washer 9/32 x 3/4 x 10 Ga. |
| 14 | 810 04 04-00 | Washer, Lock Hvy Helical | 112 | 819 09 12-10 | Nut Lock Flg. 3/8-16 unc |
| 15 | 874 49 05-44 | Bolt Hex FGHD 5/16-18 x Gr 5 | 120 | 873 90 06-00 | Nut Lock Flg. 3/8-16 unc |
| 16 | 873 80 05-00 | Nut Lock Hex W/Ins 5/16-18 unc | 150 | 532 16 58-50 | Bushing, Bellcrank Grnd Dr |
| 17 | 532 12 61-97 | Washer 1-1/2 OD x 15/32 ID x .250 | 151 | 819 13 32-10 | Washer 13/32 x 2 x 10 Ga. |
| 19 | 873 80 06-00 | Nut Lock Hex w/Ins 3/8-16 unc | 156 | 532 16 60-02 | Washer Srrted 5/16 ID x 1.125 |
| 20 | 532 17 39-37 | Bolt Hex 7/16-20 x 4 x Gr.5 - 1.5 THR | 158 | 532 16 55-89 | Bracket Shift Mount |
| 21 | 532 10 69-33 | Knob 1/4-13 unc Blk | 159 | 532 18 39-00 | Hub Shift |
| 22 | 532 17 56-07 | Nut | 161 | 872 14 04-06 | Bolt Rdhd Sqnk 1/4-20 x 3/4 Gr 5 |
| 24 | 873 35 06-00 | Nut Hex Jam 3/8-16 unc | 162 | 873 68 04-00 | Nut Crownlock 1/4-20 unc |
| 25 | 532 19 20-36 | Spring, Rod, Brake | 163 | 874 78 04-16 | Bolt Hex Fin 1/4-20 unc x 1 Gr 5 |
| 27 | 876 02 04-12 | Pin, Cotter 1/8 x 3/4 | 165 | 532 16 56-23 | Bracket Pivot Lever |
| 28 | 532 17 57-65 | Rod, Parking Brake | 166 | 817 49 05-10 | Screw 5/16-18 x 5/8 |
| 29 | 532 07 16-73 | Cap, Parking Brake | 167 | 532 16 55-88 | Bracket Support Shift CRD |
| 30 | 532 16 95-92 | Bracket, Mfg. Transaxle | 168 | 532 16 54-92 | Bolt Shoulder 5/16-18 x .561 |
| 34 | 532 17 55-78 | Shaft, Asm Pedal Foot CRD | 169 | 532 16 55-80 | Plate Fastening Lt |
| 35 | 532 12 01-83 | Bearing, Nylon | 171 | 817 49 06-08 | Screw Thdrol 3/8-16 x 1/2 Ty-Tt |
| 36 | 819 21 16-16 | Washer 21/32 x 1 x 16 Ga. | 172 | 532 17 02-71 | Shaft Asm Shifter Frt CRD |
| 37 | 532 12 49-63 | Pin, Roll 3/16 x 1" | 177 | 532 16 59-32 | Keeper Flat Idler 3.06" CRD |
| 38 | 532 16 59-36 | Pulley Flat Composite 3.06" | 181 | 532 18 02-11 | Bracket Idler Ground Drive CRD |
| 39 | 874 76 06-44 | Bolt Fin Hex 3/8-16 unc x 2-3/4 | 182 | 532 18 26-82 | Keeper Belt 2.5" Od V-Idler CRD |
| 40 | 532 12 49-65 | Spacer, Split 395 x 59 Bzp | 183 | 532 18 60-07 | Pulley V-Idler 2.50" Od CRD |
| 42 | 819 13 13-12 | Washer 13/32 x 13/16 x 12 Ga. | 185 | 532 17 00-08 | Link Shift |
| 43 | 819 11 10-12 | Washer 11/32 x 5/8 x 12 Ga. | 186 | 532 16 56-14 | Hub Tapered Round CRD |
| 47 | 532 12 77-83 | Pulley, Idler, V Groove Plasic | 187 | 817 58 05-20 | Screw Thdrol 5/16-18 x 1.25 |
| 48 | 532 15 44-07 | Bellcrank Clutch Grnd Drv | 197 | 532 16 96-13 | Nyliner Snap-In 5/8 |
| 49 | 532 12 32-05 | Retainer, Belt Style Spring | 199 | 532 16 96-12 | Bolt Shoulder 5/16-18 unc |
| 50 | 872 11 06-12 | Bolt Carr. Sh. 3/8-16 x 1-1/2 Gr. 5 | 200 | 872 14 05-08 | Bolt RDHD SQNK 5/16-18 x 1 |
| 51 | 873 68 06-00 | Nut, Crownlock 3/8-16 unc | 207 | 532 16 98-45 | Washer Nylon Rear |
| 52 | 873 68 05-00 | Nut Crownlock 5/16-18 | 214 | 532 17 56-09 | Shaft Asm. Brake |
| 53 | 532 19 96-52 | Link, Clutch 7.66 | 215 | 532 17 56-52 | Rod Brake Hydro |
| 55 | 532 10 57-09 | Spring, Return, Clutch | 243 | 532 19 07-36 | Bracket Anti-Rotation |
| 56 | 817 06 06-20 | Screw 3/8-16 x 1-1/4 | 252 | 819 13 16-16 | Washer 13/32 x 1 x 16 Ga. |
| 57 | 532 17 01-40 | V-Belt Kev 112" 0650 CRD | 254 | 817 00 06-16 | Screw 3/8-16 x 1 |
| 62 | 532 12 35-33 | Cover, Pedal | 255 | 532 17 56-08 | Brace Shaft Brake Mtg. |
| 65 | 810 04 07-00 | Washer | 258 | 532 17 80-62 | Clip Retainer |
| 66 | 532 15 47-78 | Keeper, Belt Engine F-Proof | 259 | 532 18 02-12 | Bracket Pulley |
| 71 | 532 16 91-83 | Strap, Torque, Lh | 260 | 532 19 76-07 | Bracket Idler Chassis |
| 73 | 532 16 91-82 | Strap, Torque, Rh | 261 | 532 13 14-94 | Pulley Idler |
| 74 | 532 13 70-57 | Spacer, Split | 262 | 872 11 06-22 | Bolt Carr. 3/8-16 x 2-3/4 Gr.5 |
| 75 | 532 12 17-49 | Washer 25/32 x 1-1/4 x 16 Ga. | 263 | 817 00 06-12 | Screw 3/8-16 x 3/4 |
| 76 | 812 00 00-01 | Ring, E | 266 | 532 18 20-61 | Shield Idler Mower |
| 77 | 532 12 35-83 | Key, Square | 279 | 872 11 06-16 | Bolt 3/8-16 x 2 |
| 78 | 532 12 17-48 | Washer 25/32 x 1-5/8 x 16 Ga. | 292 | 532 40 02-71 | Spacer Idler Chassis |
| 81 | 532 17 00-06 | Asm, Shaft,Cross Rear | 295 | 532 17 91-14 | Pulley Idler Composite |
| 82 | 532 16 57-11 | Spring, Torsion | | | |

NOTE: All component dimensions given in U.S. inches
1 inch = 25.4 mm

REPAIR PARTS

TRACTOR- -MODEL NO. BM20H107RBK (96061010800), PRODUCT NO. 960 61 01-08
STEERING ASSEMBLY



steering_stealth_prem_16

REPAIR PARTS

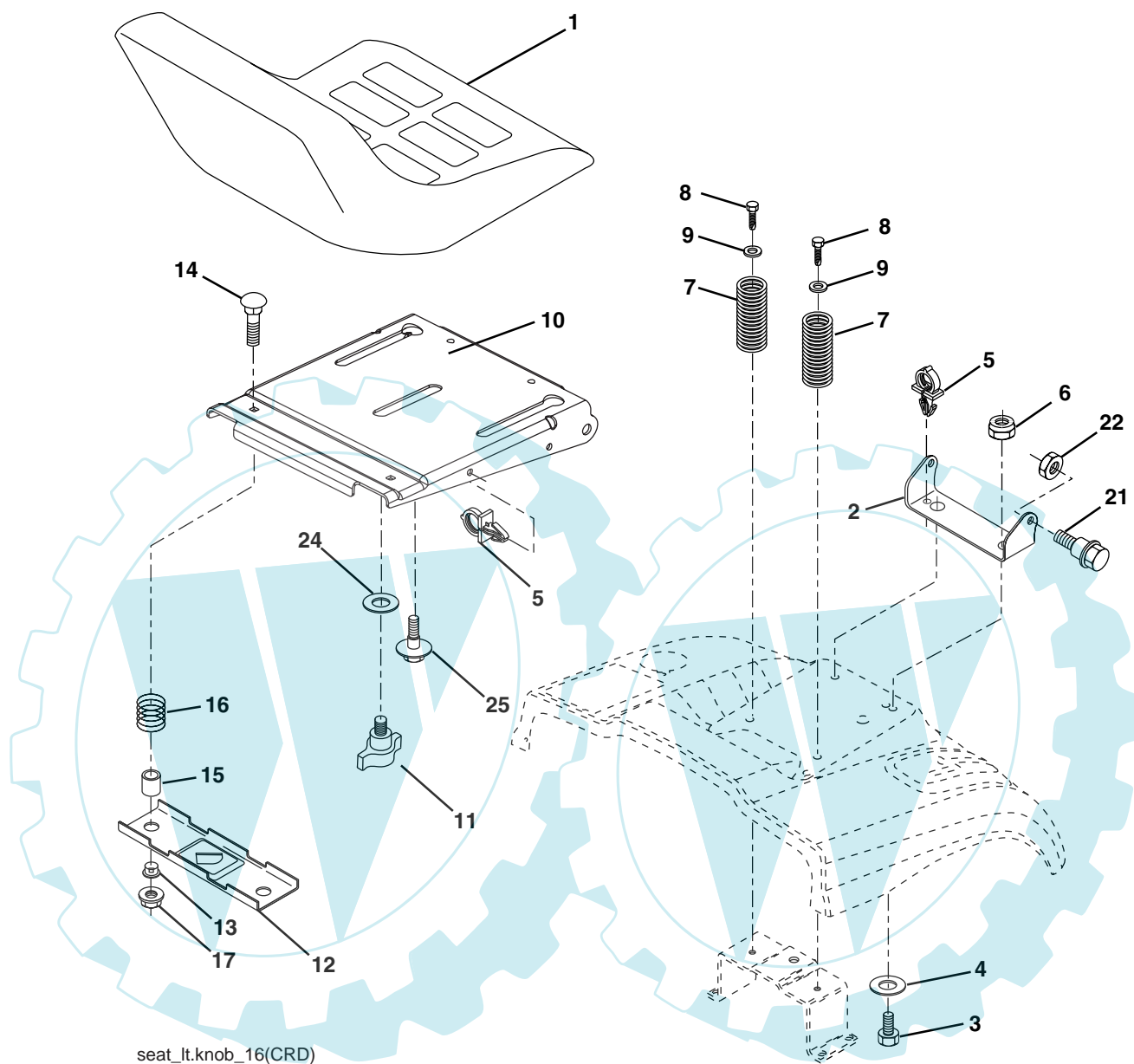
TRACTOR- -MODEL NO. BM20H107RBK (96061010800), PRODUCT NO. 960 61 01-08
STEERING ASSEMBLY

| KEY NO. | PART NO. | DESCRIPTION |
|---------|--------------|-----------------------------------|
| 1 | 532 19 46-37 | Steering Wheel |
| 2 | 532 18 47-06 | Front Axle Assembly |
| 3 | 532 16 98-40 | Spindle Assembly, L.H. |
| 4 | 532 16 98-39 | Spindle Assembly, R.H. |
| 5 | 532 12 49-31 | Bearing, Race, Thrust, Hardened |
| 6 | 532 12 17-48 | Washer 25/32 x 1-5/8 x 16 Ga. |
| 8 | 812 00 00-29 | Ring, Klip |
| 10 | 532 17 51-21 | Link, Drag |
| 11 | 810 04 06-00 | Washer, Lock |
| 12 | 873 94 08-00 | Nut Hex Jam Toblock 1/2 - 20 UNF |
| 13 | 532 13 65-18 | Spacer Axle |
| 15 | 532 14 52-12 | Nut Hex Flange Lock |
| 17 | 532 17 78-83 | Shaft Assembly, Steering |
| 29 | 817 00 06-12 | Screw 3/8-16 x 3/4 |
| 32 | 532 17 18-88 | Rod, Tie |
| 33 | 819 11 12-16 | Washer 11/32 x 3/4 x 16 Ga. |
| 34 | 810 04 05-00 | Washer Lock Hvy Hlcl Spr 5/16 |
| 35 | 873 54 05-00 | Crownlock Nut 5/16-24 unf |
| 36 | 532 14 52-07 | Bushing, Steering |
| 37 | 532 15 29-27 | Screw TT #10-32 x 5 x 3/8 Flange |
| 38 | 532 19 46-03 | Cap Wheel Steering |
| 39 | 819 18 38-12 | Washer 9/16 ID x 2-3/8 OD.12 GZIN |
| 40 | 873 54 06-00 | Nut Crownlock 3/8-24 |
| 41 | 532 18 67-37 | Adaptor, Steering Wheel |
| 42 | 532 17 71-49 | Boot, Steering Dash P/L Mtl |
| 43 | 532 12 17-49 | Washer 25/32 x 1-1/4 x 16 Ga. |
| 46 | 532 12 12-32 | Cap, Spindle |
| 65 | 532 16 03-67 | Spacer Axle |
| 67 | 872 11 06-18 | Bolt Rdhd Sq 3/8-16 x 2-1/4 |
| 68 | 532 16 98-27 | Brace Axle |
| 71 | 532 17 51-46 | Steering Asm. |
| 82 | 532 19 99-78 | Bracket Susp. Chassis Front |
| 87 | 532 17 39-66 | Washer Flat .781 x 1-1/2 x .14 |
| 88 | 532 17 51-18 | Bolt Shoulder 7/16-20 unc |
| 91 | 532 17 55-53 | Clip Steering |
| 95 | 532 18 89-67 | Washer |

NOTE: All component dimensions given in U.S. inches.
1 inch = 25.4 mm.

REPAIR PARTS

TRACTOR- -MODEL NO. BM20H107RBK (96061010800), PRODUCT NO. 960 61 01-08
SEAT ASSEMBLY



seat_lt.knob_16(CRD)

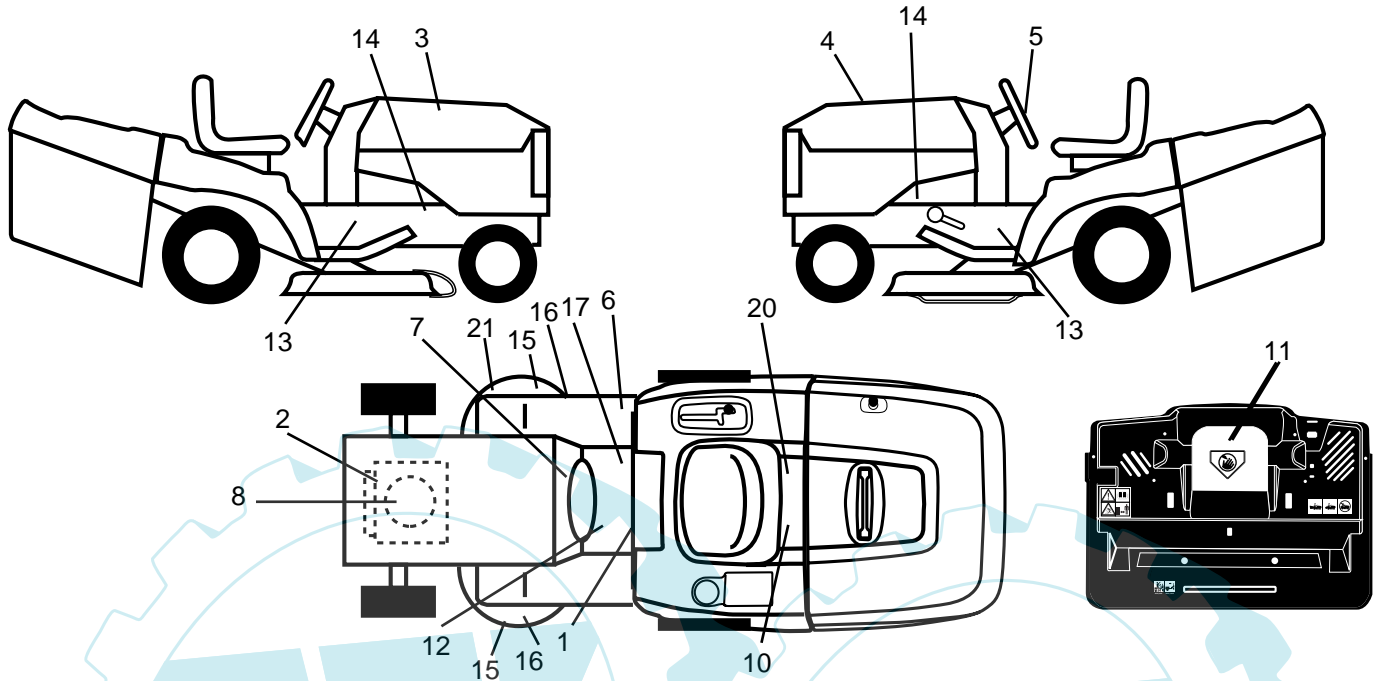
| KEY NO. | PART NO. | DESCRIPTION |
|---------|--------------|--------------------------------|
| 1 | 532 40 10-42 | Seat |
| 2 | 532 18 01-66 | Bracket Pnt Pivot Seat (blk) |
| 3 | 871 11 06-16 | Bolt Fin Hex 3/8-16 x 1 |
| 4 | 819 13 16-10 | Washer Flat 13/32 x 1 x 10 Ga. |
| 5 | 532 14 50-06 | Clip Push In Hinged |
| 6 | 873 80 06-00 | Nut Lock Hex W/Ins 3/8-16 |
| 7 | 532 12 41-81 | Spring Seat Cprsn 2 250 Blk Zi |
| 8 | 817 00 06-16 | Screw 3/8-16 x 1.5 |
| 9 | 819 13 16-14 | Washer 13/32 x 1 x 14 Ga |
| 10 | 532 19 56-96 | Pan Pnt Seat |
| 11 | 532 16 63-69 | Knob Seat Adj. Wingnut |
| 12 | 532 17 46-48 | Bracket Pnt Mounting Switch |

| KEY NO. | PART NO. | DESCRIPTION |
|---------|--------------|---------------------------------|
| 13 | 532 12 12-48 | Bushing Snap Blk Nyl 50 Id |
| 14 | 872 05 04-12 | Bolt Rdhd Sht Nk 1/4-20 x 1-1/2 |
| 15 | 532 12 12-49 | Spacer Split |
| 16 | 532 12 37-40 | Spring Cprsn |
| 17 | 532 12 39-76 | Nut Lock 1/4 Lge Flg Gr. 5 Zinc |
| 21 | 532 17 18-52 | Bolt Shoulder 5/16-18 unc-2A |
| 22 | 873 80 05-00 | Nut Hex Lock w/Ins 5/16-18 |
| 24 | 819 17 19-12 | Washer 17/32 x 1-3/16 x 12 Ga. |
| 25 | 532 12 70-18 | Bolt Shoulder 5/16-18 x 62 |

NOTE: All component dimensions given in U.S. inches.
1 inch = 25.4 mm

REPAIR PARTS

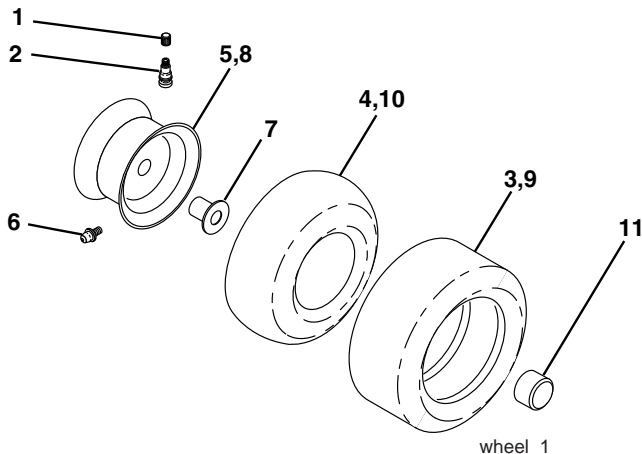
TRACTOR- -MODEL NO. BM20H107RBK (96061010800), PRODUCT NO. 960 61 01-08
DECALS



| KEY NO. | PART NO. | DESCRIPTION |
|---------|--------------|-------------------------------|
| 1 | 532 40 03-89 | Decal Warning Symbols CE |
| 2 | 532 19 80-78 | Decal B&S |
| 3 | 532 40 18-35 | Decal Hood RH |
| 4 | 532 40 18-36 | Decal Hood LH |
| 5 | 532 19 44-19 | Decal Wheel Steering |
| 6 | 532 18 04-32 | Decal 100 DBA |
| 7 | 532 18 65-03 | Decal Dash |
| 8 | 532 19 68-41 | Decal Warning Eng. Sym |
| 10 | 532 14 50-05 | Decal Bat Dan/Poi P/L Sym Wpn |
| 11 | 532 18 21-66 | Decal Mower Cut Finger Symbol |
| 12 | 532 15 97-37 | Decal Brake/Clutch Symbol Lt |
| 13 | 532 40 11-46 | Decal Warning Service/Fire |

| KEY NO. | PART NO. | DESCRIPTION |
|---------|--------------|------------------------------|
| 14 | 532 15 97-36 | Decal Chassis Hot Muffler |
| 15 | 532 19-68-42 | Decal Warning Cut Finger |
| 16 | 532 17-78-11 | Decal Deck Enviro |
| 17 | 532 14 08-37 | Decal Saddle Brake Parking |
| 20 | 532 16 69-60 | Decal Bypass Fender CRD |
| 21 | 532 16 62-86 | Decal Hex Belt Sch 92 CRD |
| — | 532 18 04-35 | Decal Rear Plate CRD Symbols |
| — | 532 18 26-21 | Decal Bagger |
| — | 532 18 10-90 | Pad Footrest RH |
| — | 532 18 10-91 | Pad Footrest LH |
| — | 532 40 19-65 | Manual Operator's (Euro) |
| — | 532 40 19-66 | Manual Parts |

WHEELS & TIRES

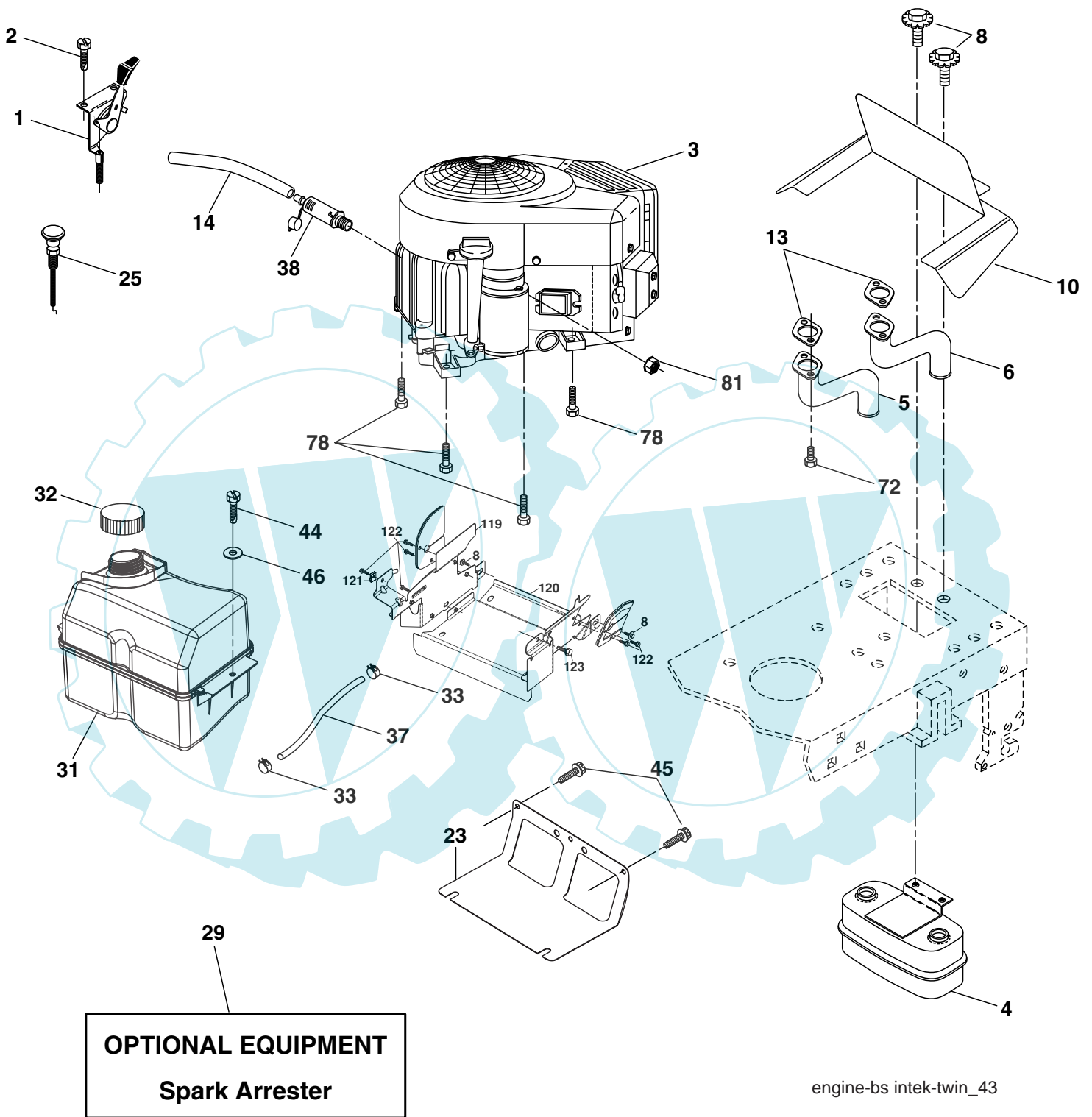


| KEY NO. | PART NO. | DESCRIPTION |
|---------|--------------|---------------------------------|
| 1 | 532 05 91-92 | Cap Value Tire |
| 2 | 532 06 51-39 | Stem Value |
| 3 | 532 10 62-22 | Tire F Ts 15 x 6 0 - 6 Service |
| 4 | 532 05 99-04 | Tube Inner Front #35060 |
| 5 | 532 13 83-36 | Rim Asm 6" front Silver Service |
| 6 | 532 12 49-57 | Fitting Grease |
| 7 | 532 12 49-59 | Bearing Flange |
| 8 | 532 13 83-37 | Rim Asm 8" rear Silver Service |
| 9 | 532 13 84-68 | Tire R Ts 20 x 8-8 Service |
| 10 | 532 12 49-26 | Tube Rear 9 5 x 8 Service |
| 11 | 532 17 50-39 | Cap Axle Blk 1 50 x 1 00 |
| -- | 532 14 43-34 | Sealant, Tire (10 oz. tube) |

NOTE: All component dimensions given in U.S. inches
1 inch = 25.4 mm

REPAIR PARTS

TRACTOR- -MODEL NO. BM20H107RBK (96061010800), PRODUCT NO. 960 61 01-08
ENGINE



REPAIR PARTS

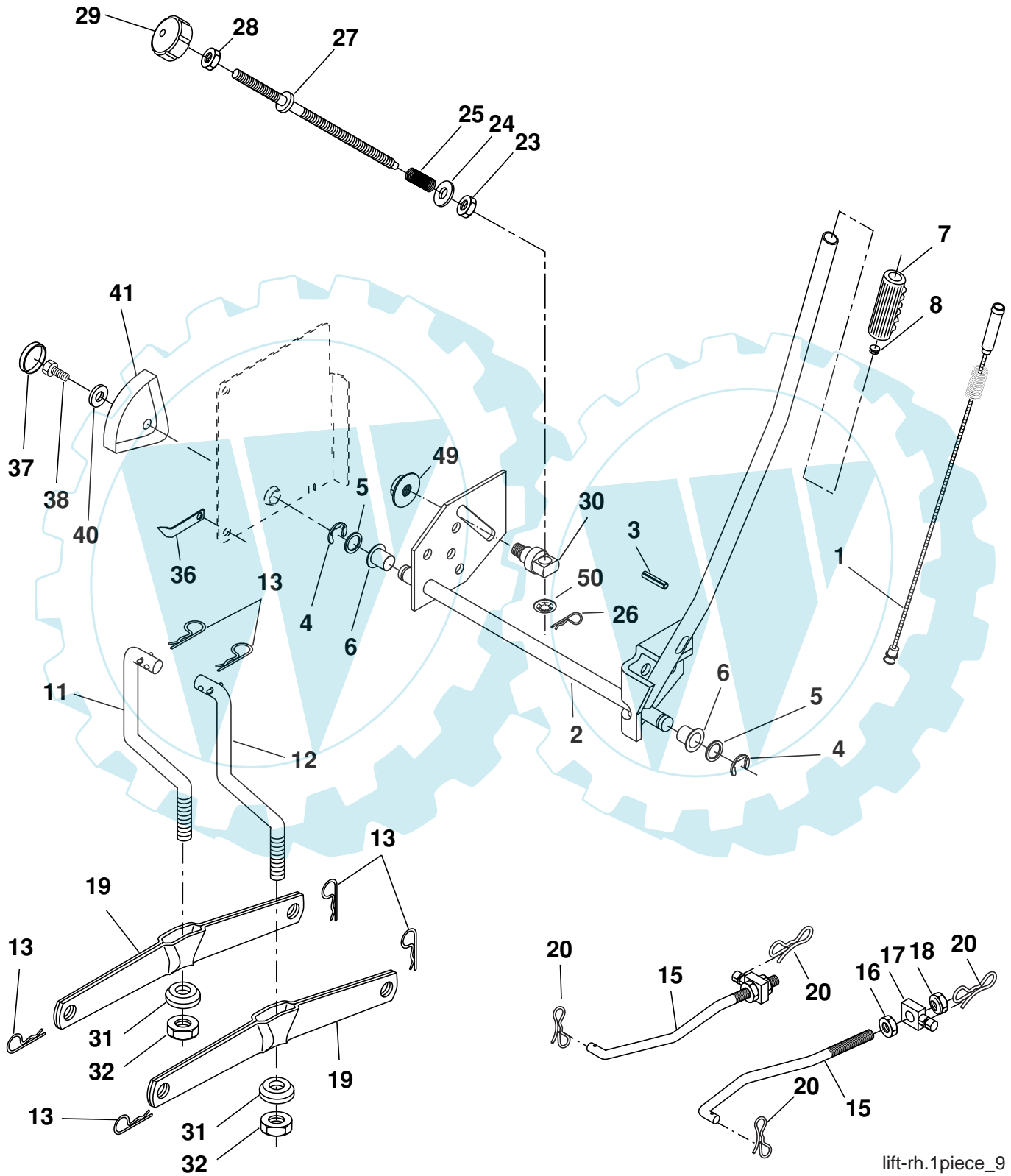
TRACTOR- -MODEL NO. BM20H107RBK (96061010800), PRODUCT NO. 960 61 01-08
ENGINE

| KEY NO. | PART NO. | DESCRIPTION |
|---------|--------------|--|
| 1 | 532 17 83-85 | Control Throt/Ck |
| 2 | 532 19 16-11 | Screw 10 x 3/4 |
| 3 | ----- | Engine B&S 41577 (Order parts from engine manufacturer) |
| 4 | 532 14 97-23 | Muffler |
| 5 | 532 15 99-95 | Exhaust Tube LH |
| 6 | 532 16 05-89 | Exhaust Tube RH |
| 8 | 532 17 18-77 | Bolt 5/16-18 unc x 3/4 w/Sems |
| 10 | 532 16 27-97 | Shield Heat |
| 13 | 532 16 53-91 | Gasket Muffler |
| 14 | 532 14 84-56 | Tube Drain Oil Easy |
| 23 | 532 16 98-37 | Shield Brn/Dbr Guard |
| 25 | 532 19 15-96 | Control Choke |
| 29 | 532 13 71-80 | Kit Spark Arrestor (Flat Scrn) |
| 31 | 532 18 55-34 | Tank Fuel 2.00 |
| 32 | 532 19 77-25 | Cap Asm Fuel Top |
| 33 | 532 12 34-87 | Clamp Hose Blk |
| 37 | 532 13 70-40 | Line Fuel |
| 38 | 532 18 16-54 | Plug Drain Oil Easy |
| 44 | 817 67 04-12 | Screw Hexwsh thdrol 1/4-20 x 3/4 |
| 45 | 817 00 06-12 | Screw Hexwsh Thdr 3/8-16 x 3/4 |
| 46 | 819 09 14-16 | Washer 9/32 x 7/8 x 16 Ga. |
| 72 | 532 18 39-06 | Screw Socket HEAd 5/16-18 x 1 |
| 78 | 817 06 06-24 | Screw 3/8-16 x 1-1/2 |
| 81 | 873 51 04-00 | Nut Keps Hex 1/4-20 unc |
| 119 | 532 40 06-01 | Guard Asm. Engine LH |
| 120 | 532 40 06-00 | Guard Asm. Engine RH |
| 121 | 532 19 66-88 | Clip Threaded |
| 122 | 532 13 77-29 | Screw Thd roll 1/4-20 x 5/8 |
| 123 | 817 67 05-08 | Screw Thdrol. 5/16-18 x 1/2 |

NOTE: All component dimensions given in U.S. inches
1 inch = 25.4 mm

REPAIR PARTS

TRACTOR- -MODEL NO. BM20H107RBK (96061010800), PRODUCT NO. 960 61 01-08
MOWER LIFT



lift-rh.1piece_9

REPAIR PARTS

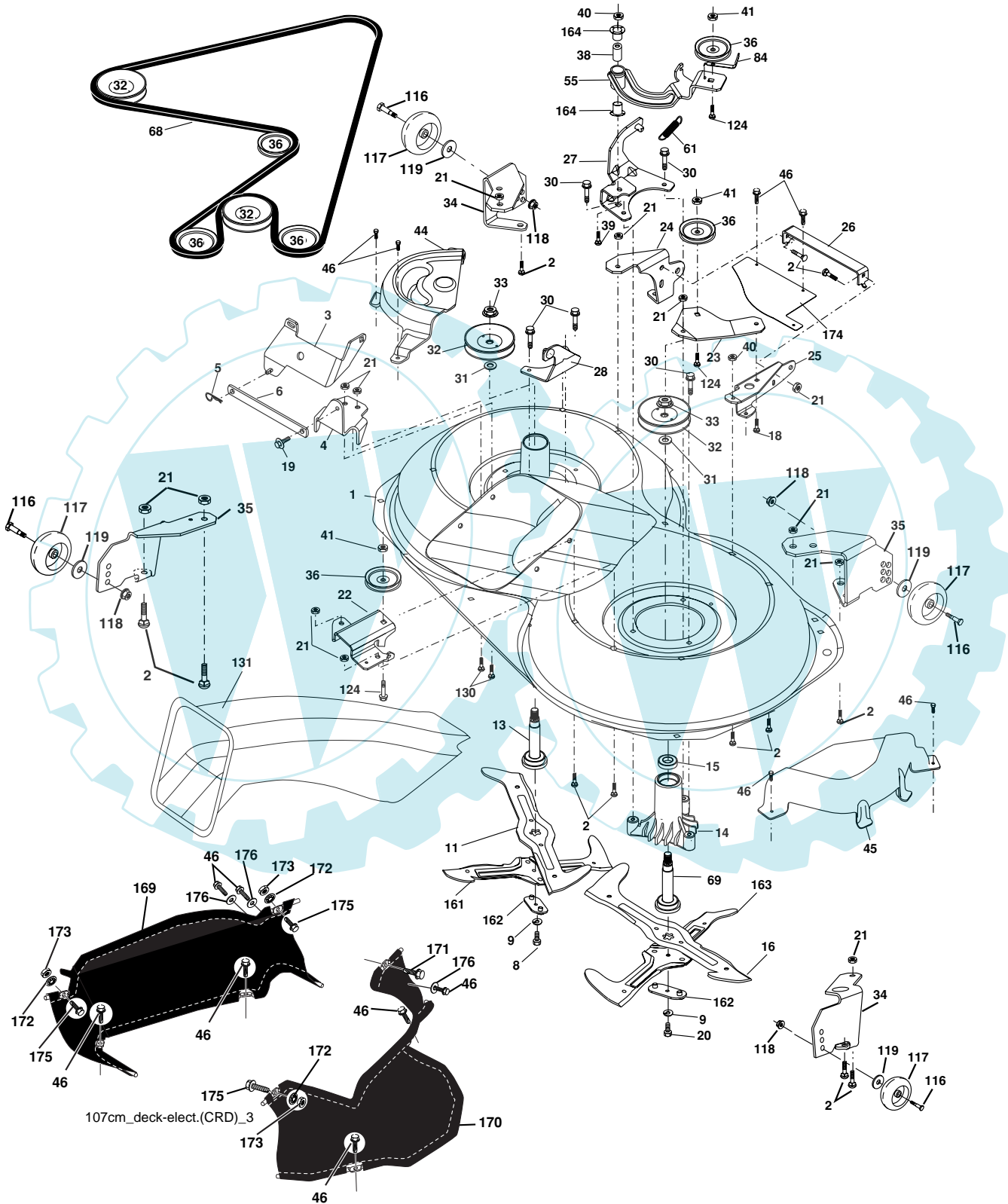
TRACTOR- -MODEL NO. BM20H107RBK (96061010800), PRODUCT NO. 960 61 01-08
MOWER LIFT

| KEY NO. | PART NO. | DESCRIPTION |
|---------|--------------|-----------------------------------|
| 1 | 532 19 84-17 | Washer Asm Inner Spring W/Plunger |
| 2 | 532 19 80-70 | Shaft Asm. Lift |
| 3 | 532 18 88-22 | Pin Groove |
| 4 | 812 00 00-02 | E Ring #5133-62 |
| 5 | 819 21 16-21 | Washer 21/32 x 1 x 21 Ga. |
| 6 | 532 12 01-83 | Bearing Nylon |
| 7 | 532 10 94-13 | Grip Handle Bicycle |
| 8 | 532 12 45-26 | Button Plunger Black |
| 11 | 532 16 58-29 | Link Asm Lift L.H. |
| 12 | 532 16 58-31 | Link Asm Lift R.H. |
| 13 | 532 12 46-70 | Retainer Spring |
| 15 | 532 17 32-88 | Link Front |
| 16 | 873 35 08-00 | Nut Jam Hex 1/2-13 unc |
| 17 | 532 17 56-89 | Trunnion Blk Zinc |
| 18 | 873 80 08-00 | Nut Lock w/wsh 1/2-13 unc |
| 19 | 532 13 98-68 | Arm Suspension Mower |
| 20 | 532 19 42-09 | Pin Cotter 7/16 Bowtie Lock |
| 23 | 532 11 08-07 | Nut Special |
| 24 | 819 13 10-16 | Washer 13/32 x 5/8 x 16 Ga. |
| 25 | 532 13 71-50 | Spring Compression INF. HGT. |
| 26 | 532 16 94-84 | Retainer Clip |
| 27 | 532 13 71-67 | Rod Adj Lift Zinc Wrk Lg 10.0 |
| 28 | 873 35 06-00 | Nut Hex Jam 3/8-16 unc |
| 29 | 532 13 80-57 | Knob Inf 3/8-16 unc Blk w/sym |
| 30 | 532 15 02-33 | Trunnion Infin Height |
| 31 | 532 16 98-65 | Bearing, Pvt. Lift. |
| 32 | 873 54 06-00 | Nut Crownlock 3/8-24 |
| 36 | 532 15 50-97 | Pointer Height Indicator |
| 37 | 532 12 39-35 | Plug Hole Blk 1.485/1.515 Dia |
| 38 | 817 06 05-16 | Screw 5/16-18 x 1 |
| 40 | 819 11 24-10 | Washer 11/32 x 1-1/2 x 10 Ga. |
| 41 | 532 12 39-34 | Scale Ind Height Blk |
| 49 | 532 14 52-12 | Nut hex Flange Lock |
| 50 | 532 11 04-52 | Nut Push Phos & Oil |

NOTE: All component dimensions given in U.S. inches
1 inch = 25.4 mm

REPAIR PARTS

TRACTOR- -MODEL NO. BM20H107RBK (96061010800), PRODUCT NO. 960 61 01-08
MOWER



REPAIR PARTS

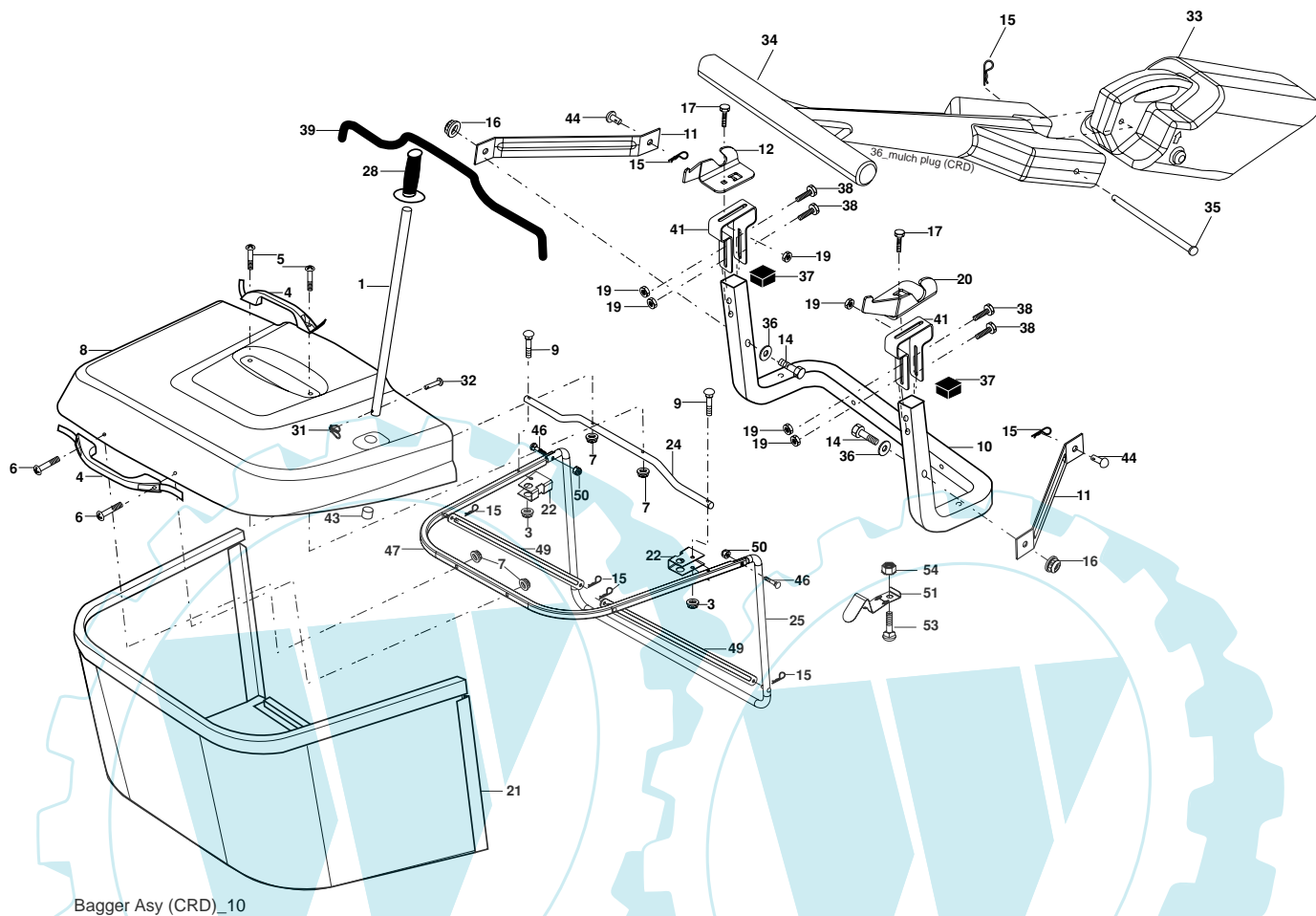
TRACTOR- -MODEL NO. BM20H107RBK (96061010800), PRODUCT NO. 960 61 01-08
MOWER

| KEY NO. | PART NO. | DESCRIPTION | KEY NO. | PART NO. | DESCRIPTION |
|---------|--------------|-------------------------------------|---------|--------------|---------------------------------|
| 1 | 532 16 91-60 | Housing Asm. Mower | 44 | 532 17 55-38 | Cover Mandrel Lh |
| 2 | 872 14 05-06 | Bolt Rdhd Sqnk 5/16-18 unc x 3/4 | 45 | 532 17 55-39 | Cover Mandrel Rh |
| 3 | 532 16 55-69 | Bracket Asm. S-Bar Chass | 46 | 532 13 77-29 | Screw Thd Roll 1/4-20 x 5/8 |
| 4 | 532 16 91-67 | Bracket Bar Sway Deck | 55 | 532 16 98-49 | Arm Idler |
| 5 | 532 12 46-70 | Retainer Spring | 61 | 532 17 51-59 | Spring Tension Belt |
| 6 | 532 16 55-57 | Bar Sway | 68 | 532 16 91-78 | Hex-Belt Mower |
| 8 | 532 18 17-12 | Bolt 3/8-24 x 1.25 Gr. 8 Patched | 69 | 532 16 54-82 | Shaft Asm W/Lwr Brg Rh Thd CRD |
| 9 | 810 03 06-00 | Washer Lock Hvy 3/8 Unplated | 84 | 532 15 60-85 | Keeper Belt Idler |
| 11 | 532 18 05-83 | Blade 3-1 Lh | 116 | 532 18 42-19 | Bolt Shoulder |
| 13 | 532 13 76-45 | Shaft Asm. W/Lower Bearing | 117 | 532 17 48-73 | Wheel Gage |
| 14 | 532 12 87-74 | Housing Mandrel Vented (Machd) | 118 | 873 93 06-00 | Nut Centerlock 3/8-16 unc |
| 15 | 532 11 04-85 | Bearing Ball Mandrel | 119 | 819 12 14-14 | Washer 3/8 x 7/8 x 14 Ga. |
| 16 | 532 18 05-84 | Blade 3-1 Rh | 124 | 872 11 06-12 | Bolt Carr Sh 3/8-16 x 1-1/2 Gr5 |
| 18 | 872 11 06-06 | Bolt Rdhd Sqnk 3/8-16 x 3/4 Gr. 5 | 130 | 872 11 05-06 | Bolt Rdhdsqnk 5/16-18 unc x 3/4 |
| 19 | 532 13 28-27 | Bolt Shoulder 5/16-18 Thd Form | 131 | 532 16 56-61 | Chute Bagger CRD 92cm |
| 20 | 532 18 17-13 | Bolt 3/8-24 x 1.25 Gr. 8 Ptch LHthd | 161 | 532 18 04-24 | Blade Cross LH 107 |
| 21 | 873 68 05-00 | Nut Crown Lock 5/16-18 | 162 | 532 18 08-78 | Adapter Weldment Blade 107 |
| 22 | 532 16 91-65 | Bracket Idler Sprt RR | 163 | 532 18 04-25 | Blade Cross RH 107 |
| 23 | 532 16 91-66 | Bracket Idler Sprt RF | 164 | 532 12 49-37 | Bearing |
| 24 | 532 16 91-70 | Bracket Suspension LF | 169 | 532 40 02-76 | Guard Asm. Fabric LH |
| 25 | 532 40 01-05 | Bracket Suspension RF | 170 | 532 40 02-77 | Guard Asm. Fabric RH |
| 26 | 532 40 01-10 | Brace Susp Frt CRD | 171 | 817 49 06-08 | Screw 3/8-16 x 1/2 |
| 27 | 532 16 91-72 | Bracket Asm. Susp RR | 172 | 532 40 12-20 | Push Nut round 3/8 Diameter |
| 28 | 532 16 91-68 | Bracket Asm. Susp LR | 173 | 873 80 06-00 | Nut Lock Hex 3/8-16 UNC |
| 30 | 532 17 39-84 | Screw Thd Rolling Dod.PT Hex | 174 | 532 40 02-40 | Guard Susp. Front |
| 31 | 532 18 76-90 | Washer Spacer Mower Vented | 175 | 872 11 06-08 | Bolt 3/8-16 x 1 Gr.5 |
| 32 | 532 17 57-07 | Mandrel Pulleys | -- | 532 18 18-57 | Mandrel Asm Service |
| 33 | 532 40 02-34 | Nut Flg Top Lock | -- | 532 18 18-58 | Mandrel Asm CRD Lh Threads VC |
| 34 | 532 40 01-03 | Bracket Gauge Wheel Lf | -- | 532 40 03-18 | Replacement Mower Complete |
| 35 | 532 40 01-04 | Bracket Gauge Wheel Rf | | | |
| 36 | 532 14 67-63 | Pulley Idler V-Groove Dim 4.25 | | | |
| 38 | 532 16 98-51 | Spacer Hub Arm Idler | | | |
| 39 | 872 11 06-22 | Bolt RhHd 3/8-16 unc x 2-3/4 Gr.5 | | | |
| 40 | 873 68 06-00 | Nut Crownlock 3/8-16 unc | | | |
| 41 | 873 90 06-00 | Nut Flangelock 3/8-16 unc | | | |

NOTE: All component dimensions given in U.S. inches
1 inch = 25.4 mm

REPAIR PARTS

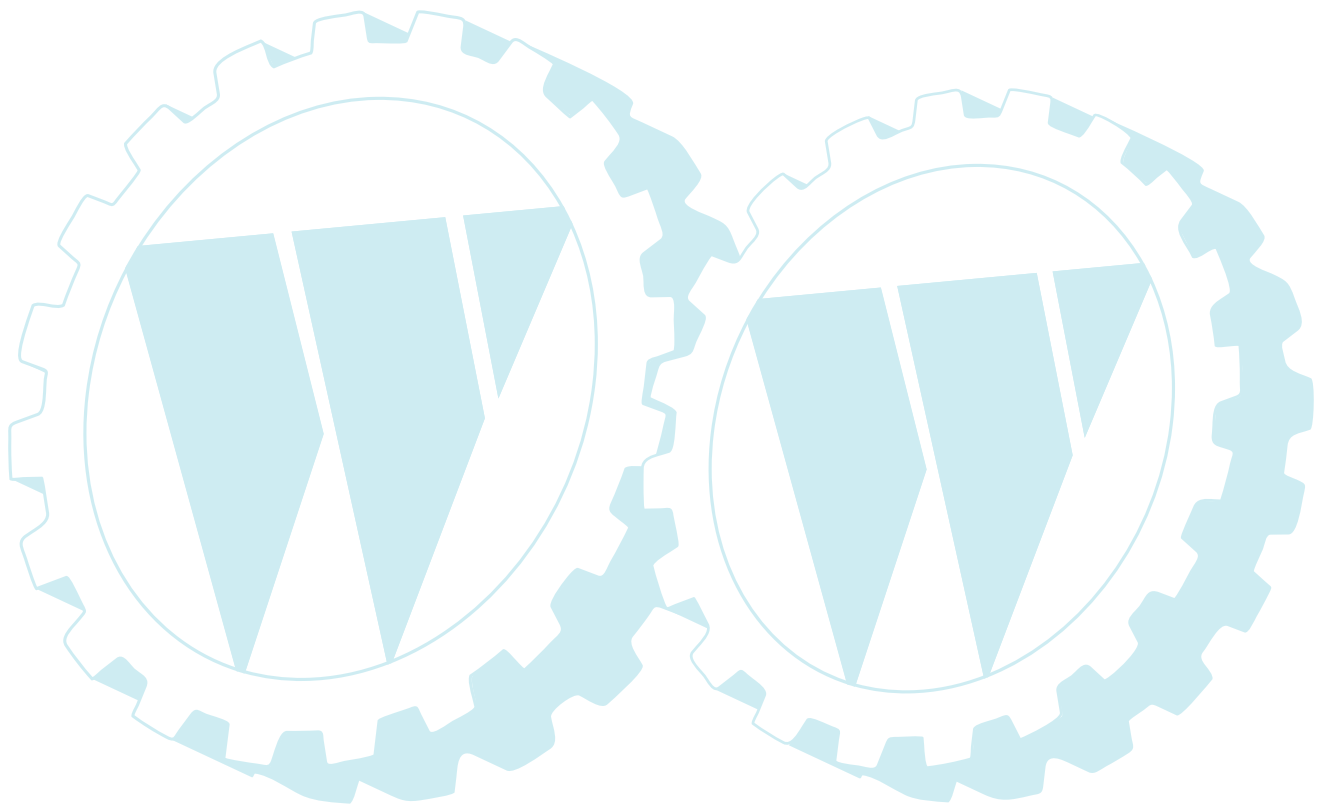
TRACTOR- -MODEL NO. BM20H107RBK (96061010800), PRODUCT NO. 960 61 01-08
BAGGER

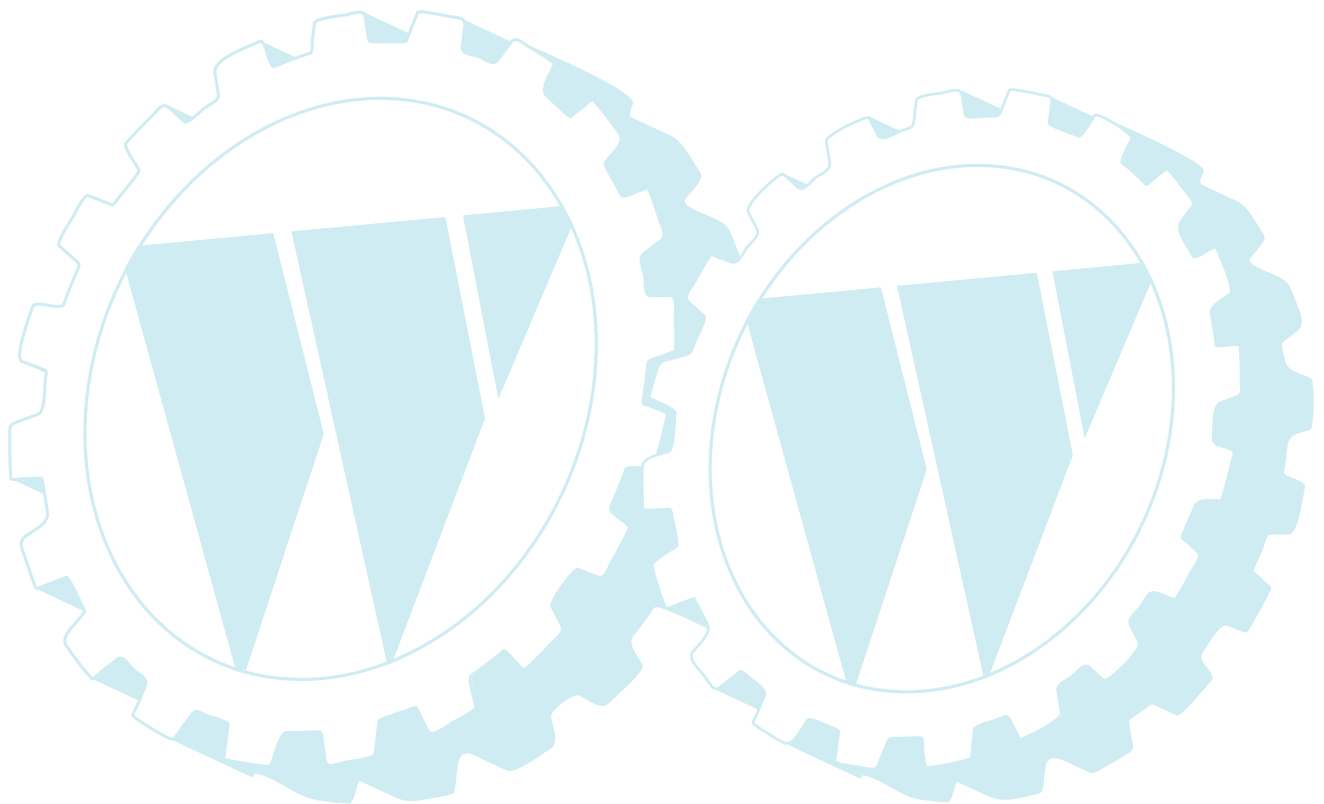


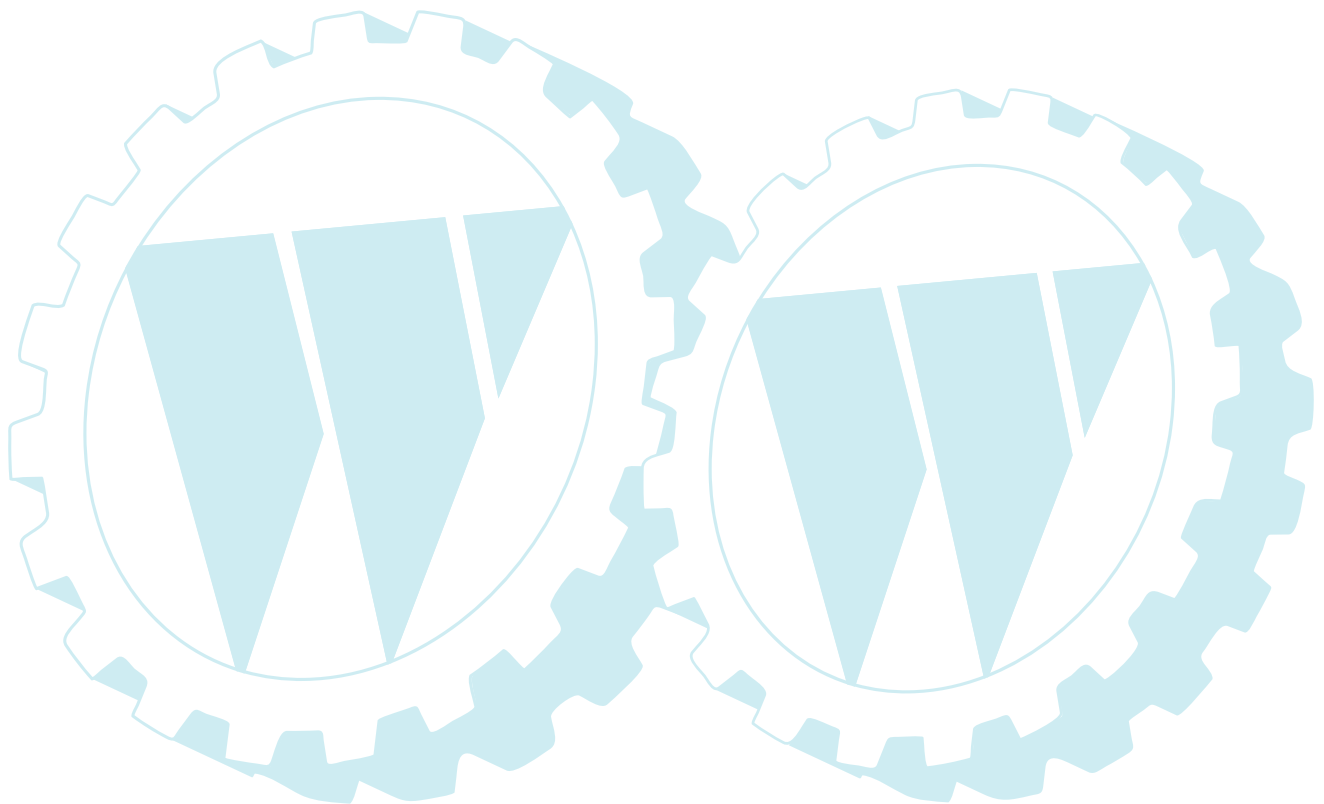
Bagger Asy (CRD)_10

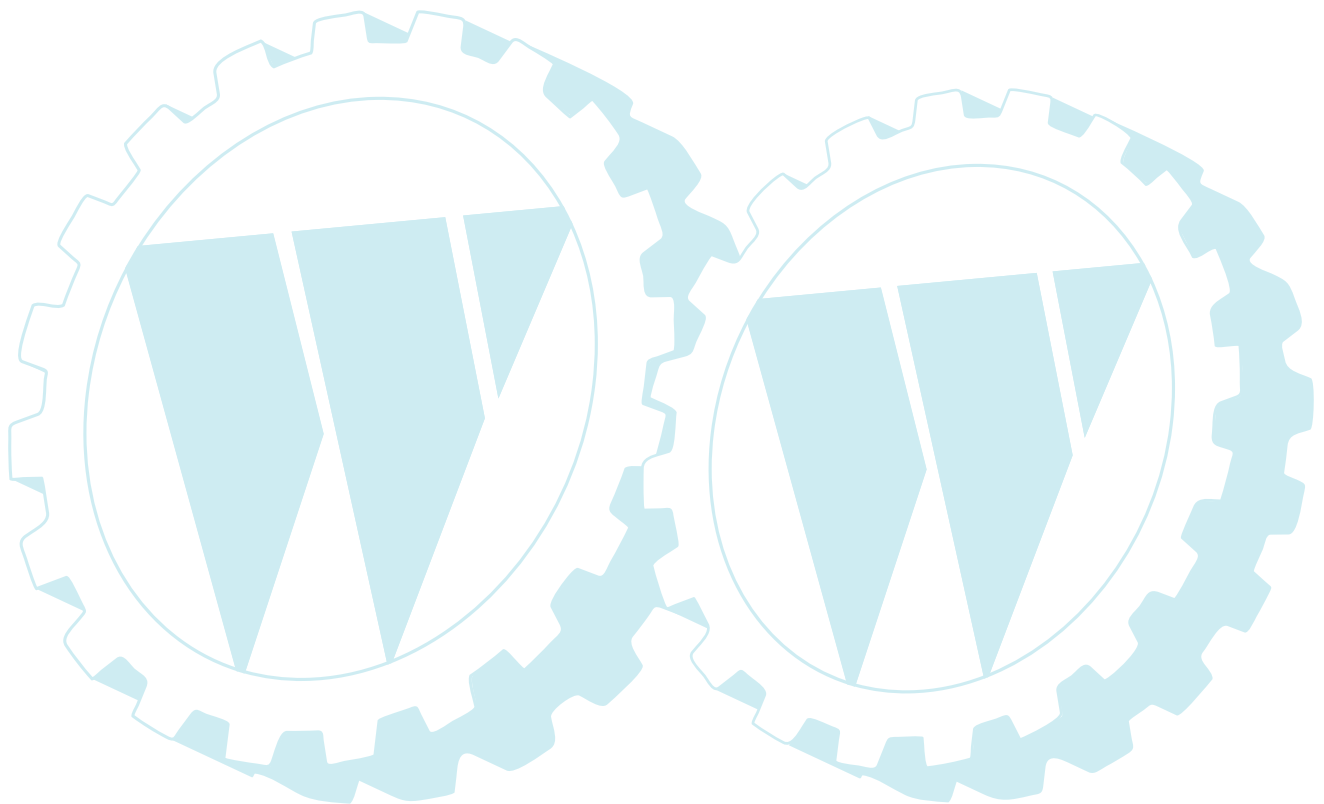
| KEY NO. | PART NO. | DESCRIPTION | KEY NO. | PART NO. | DESCRIPTION |
|---------|--------------|---------------------------------------|---------|--------------|--------------------------------|
| 1 | 532 16 52-49 | Tube Handle Bagger CRD | 25 | 532 19 37-05 | Tube Front Bagger |
| 3 | 532 12 39-76 | Nut Lock 1/4 Lge Flg Gr. 5 Zinc | 28 | 532 16 57-87 | Grip Handle |
| 4 | 532 16 99-16 | Handle Bagger w/Lvrs Blk CRD | 31 | 532 16 94-84 | Retainer Clip |
| 5 | 874 98 10-24 | Screw Pan Head #10-24 x 1.50 Blk | 32 | 532 12 68-75 | Rivet Rd Hd Drilled 3/8 Dia |
| 6 | 874 98 10-32 | Screw Pan Hd | 33 | 532 16 93-80 | Plug Mulcher |
| 7 | 873 40 10-00 | Nut Wiz Lock Hex Serr/Hd 10-24 | 34 | 532 16 55-70 | Handle Mulcher |
| 8 | 532 19 24-70 | Cover Bagger | 35 | 532 16 55-72 | Pin Mulcher |
| 9 | 872 14 04-18 | Bolt Carriage 1/4-20 x 2.25d x Gr. 5 | 36 | 819 13 20-12 | Washer 13/32 x 1-1/4 x 12 Ga. |
| 10 | 532 18 12-82 | Tube Support Bagger CRD | 37 | 532 17 54-01 | Plug Support Bagger CRD |
| 11 | 532 16 57-19 | Bracket Support Upper Bag CRD | 38 | 872 01 05-20 | Bolt 5/16-18 x 2-1/2 |
| 12 | 532 18 88-48 | Bracket Pivot LH | 39 | 532 18 09-85 | Seal |
| 14 | 874 52 06-36 | bolt Fin Hex 3/8-16 x 2-1/4 Gr.5 | 41 | 532 16 96-83 | Bracket Pnt Adj Pvt Bagger CRD |
| 15 | 532 12 46-70 | Retainer Spring | 43 | 532 17 40-83 | Plug Tubing End |
| 16 | 873 90 06-00 | Nut Lock 3/8-16 UNC | 44 | 532 19 33-12 | Pin Clevis 3/8 x 11/16 |
| 17 | 872 14 05-06 | Bolt Rdhd Sht Sqnk 5/16 -18 unc x 3/4 | 46 | 872 11 05-10 | Bolt 5/16-18 x 1-1/4 |
| 19 | 873 90 05-00 | Nut Lock Hex Flange 5/16-18 | 47 | 532 19 37-04 | Tube Upper Bagger |
| 20 | 532 18 88-47 | Bracket Pivot Rh | 49 | 532 19 33-05 | Bar Spreader |
| 21 | 532 19 38-38 | Bag Asm CRD | 50 | 873 80 05-00 | Nut 5/16-18 |
| 22 | 532 16 57-81 | Bracket Side Bagger CRD | 51 | 532 19 99-03 | Latch Spring Bagger |
| 24 | 532 16 57-83 | Tube Pivot Bagger CRD | 53 | 873 51 04-00 | Nut 1/4-20 UNC |
| | | | 54 | 872 14 04-06 | Bolt 1/4-20 x 3/4 Gr.5 |

NOTE: All component dimensions given in U.S. inches
1 inch = 25.4 mm









BESTGREEN

Ihr Ersatzteilspezialist im Internet